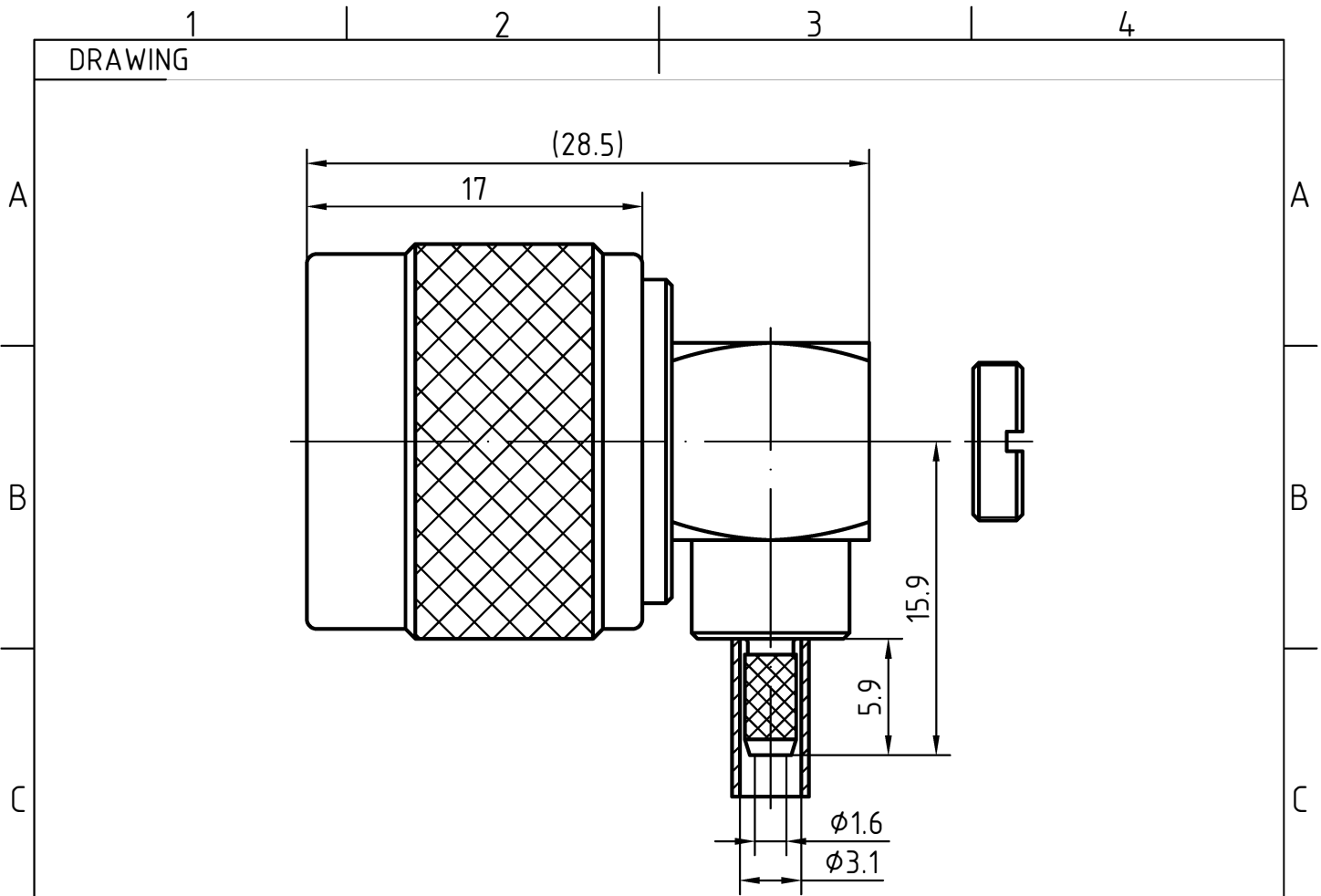
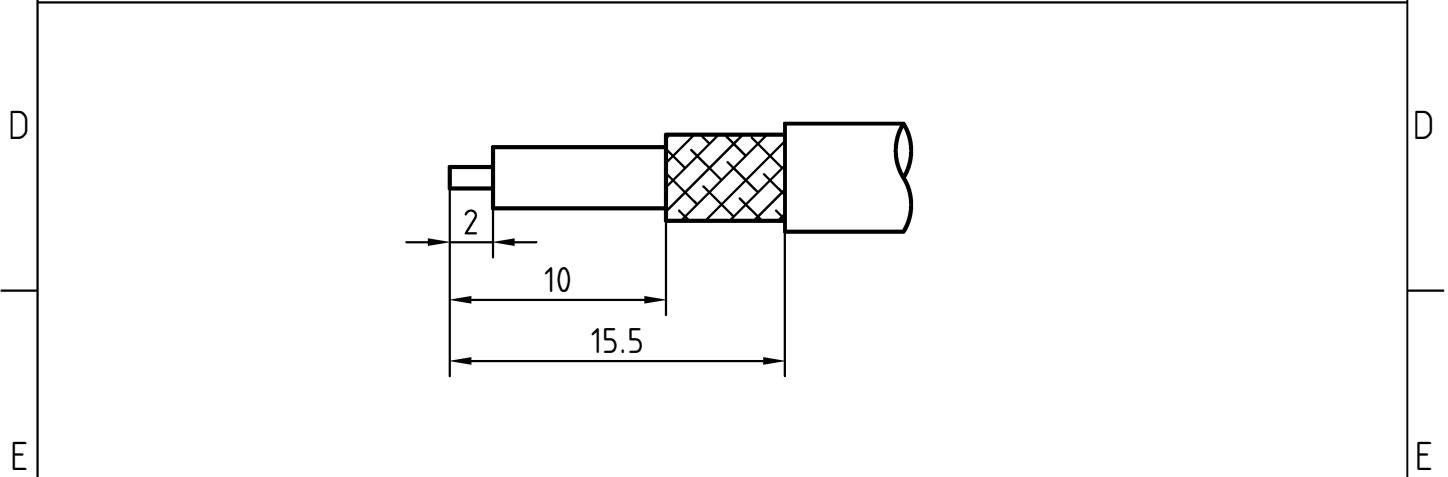


DRAWING



CABLE(RG174A/U, RG188A/U, RG316/U)



5	1	Gasket	Silicon rubber	
4	1	Coupling nut	Brass/Nickel plated	Nickel 7.0um over Copper 2.0um
3	1	Body	Brass/Nickel plated	Nickel 7.0um over Copper 2.0um
2	1	Insulator	PTFE	
1	1	Center contact	Brass/Gold plated	Gold 0.3um over Nickel 2.0um
Itemref	Quantity	Title/Name, designation, material, dimension etc		Article No./Reference

Designed by xio Xang	Checked by Jing Lo	Approved by - date Jing Chan	File name N-111200A	Date 10.07.13	Scale 3 : 1
-------------------------	-----------------------	---------------------------------	------------------------	------------------	----------------

	N-111200A	
	Edition 1.0	Sheet 1/1

## CHARACTERISTICS

DESCRIPTION: N Type male R/A connector

### Electrical data:

<i>Impedance:</i>	50 ohm
<i>Frequency range:</i>	DC to 11.0 GHz
<i>Return loss:</i>	≥30dB, DC-2GHz ≥20dB, 2-4GHz ≥17.2dB, 4-6GHz
<i>Insertion loss:</i>	≤0.20 X √f[GHz] dB, DC-6GHz
<i>Insulation resistance:</i>	≥5000MΩ
<i>Test voltage:</i>	2500 V rms
<i>Working voltage:</i>	1400 V rms
<i>Contact resistance:</i>	
1). Centre contact:	1.0 mΩ
2). Outer conductor:	0.25 mΩ
<i>Power handling (at 20 ° C, sea level, VSWR 1.0):</i>	1000 W @ 1 GHz 700 W @ 2 GHz

### Environmental data:

<i>Temperature rating:</i>	-55 ° C to +155 ° C
<i>2002/95/EC (RoHS):</i>	Compliant

### Mechanical data:

<i>Mating cycles:</i>	≥500
<i>Center contact captivation:</i>	≥28N(axial)
<i>Coupling test torque:</i>	≤1.7 Nm
<i>Recommended torque:</i>	0.7 Nm to 1.1 Nm

### Suitable cables:

RG174/U, RG316/U