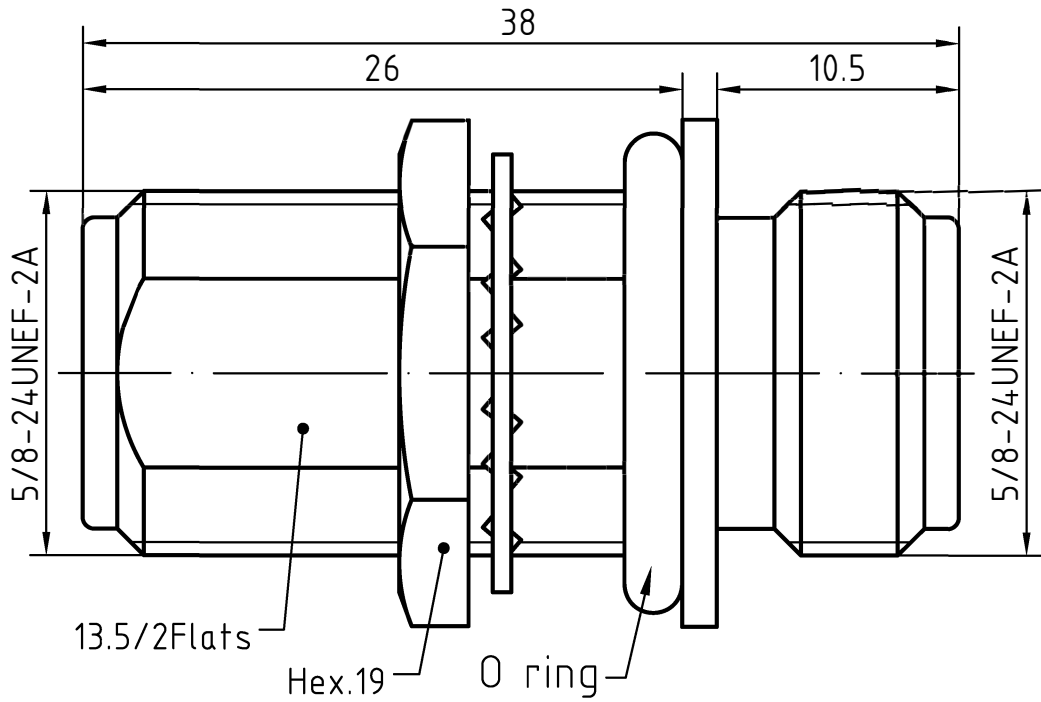
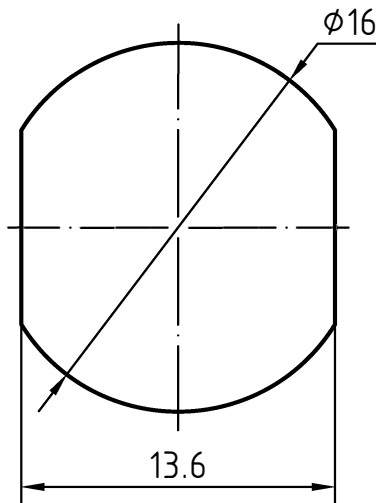


DRAWING



MOUNTING HOLE



4	1	O ring	Silicone rubber	
3	1	Body	Brass/Nickel plated	
2	1	Insulator	PTFE	
1	1	Center contact	Phosphor bronze/Gold plated	
Itemref	Quantity	Title/Name, designation, material, dimension etc		Article No./Reference

Designed by Xio Xan	Checked by Jing Lo	Approved by Jing Chan	File name N_N-2211	Date 09.06.13	Scale 4 : 1
------------------------	-----------------------	--------------------------	-----------------------	------------------	----------------

	N_N-2211	
	Edition 1.0	Sheet 1/1

CHARACTERISTICS

DESCRIPTION:

N JACK TO N JACK ADAPTOR BULKHEAD

Electrical data:

<i>Impedance:</i>	50 ohm
<i>Frequency range:</i>	DC to 11.0 GHz
<i>VSWR:</i>	$\leq 1.05 + 0.03 \times f[\text{GHz}]$
<i>Insertion loss:</i>	$\leq 0.15 \times \sqrt{f[\text{GHz}]} \text{ dB}$
<i>Insulation resistance:</i>	$\geq 5000\text{M}\Omega$
<i>Test voltage:</i>	1500 V rms
<i>Working voltage:</i>	1400 V rms
<i>Contact resistance:</i>	
1). Centre contact:	1.5 m Ω
2). Outer conductor:	0.2 m Ω
<i>Power handling (at 20 ° C, sea level, VSWR 1.0)</i>	1000 W @ 1 GHz 700 W @ 2 GHz

Environmental data:

<i>Temperature rating:</i>	-55 ° C to +155 ° C
<i>2002/95/EC (RoHS):</i>	Compliant

Mechanical data:

<i>Mating cycles:</i>	≥ 500
<i>Center contact captivation:</i>	$\geq 27 \text{ N(axial)}$
<i>Coupling test torque:</i>	$\leq 1.7 \text{ Nm}$
<i>Recommended torque:</i>	0.7 Nm to 1.1 Nm

Suitable cables:

N/A