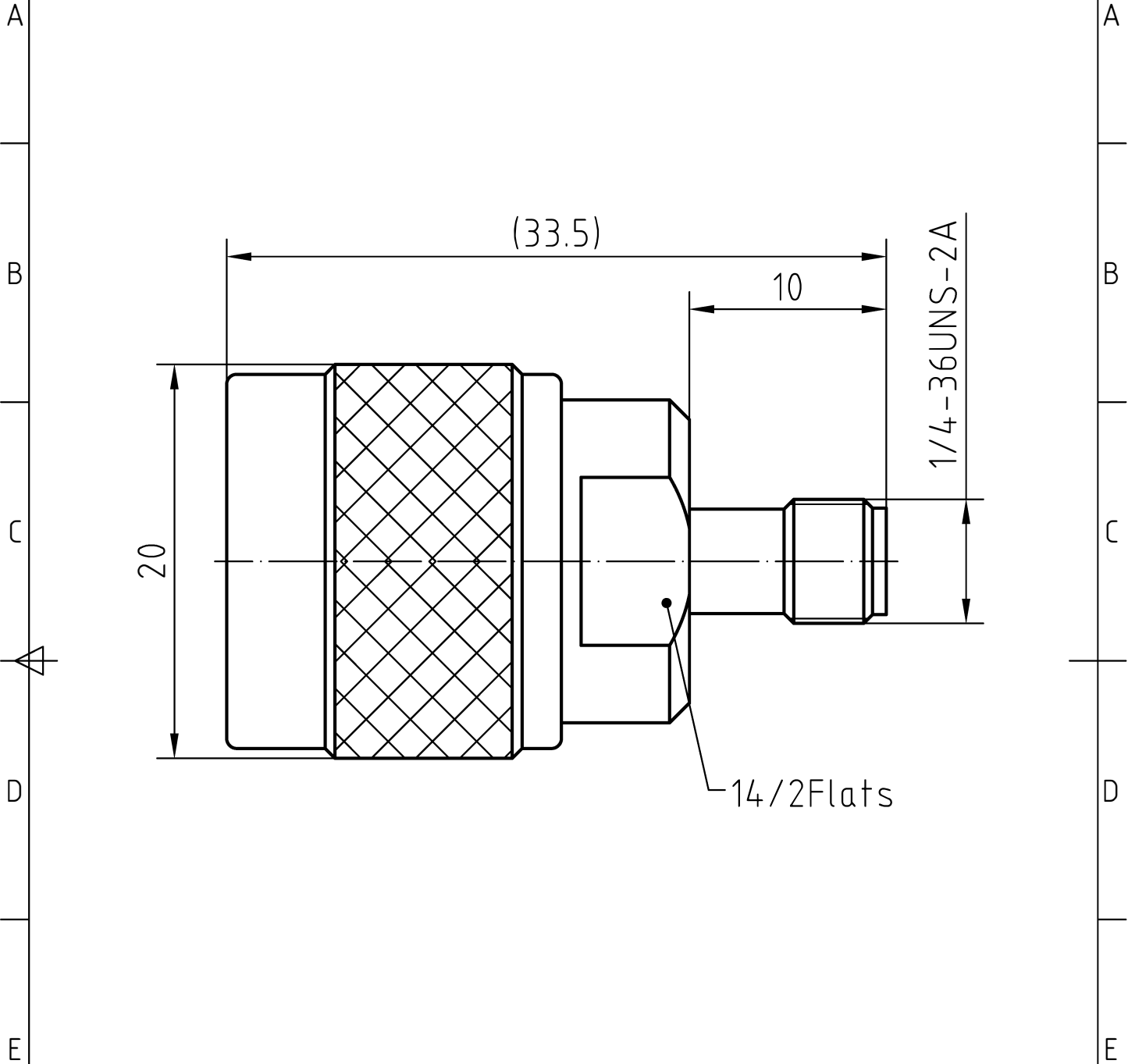


1	2	3	4
RevNo	Revision note	Date	Signature
			Checked



3	1	Body	Brass/Nickel plated	
2	1	Insulator	PTFE	
1	1	Center contact	Beryllium coper/Gold plated	
Itemref	Quantity	Title/Name, designation, material, dimension etc		Article No./Reference

Designed by Xio Xan	Checked by Jing Lo	Approved by Jing Chan	File name N/SMA-1210	Date 08.03.10	Scale 1:1
------------------------	-----------------------	--------------------------	-------------------------	------------------	--------------

	N_SMA-1210	
	Edition 0	Sheet 1/1

CHARACTERISTICS

DESCRIPTION: N plug to SMA jack adaptor

Electrical data:

Impedance:	50 ohm	
Frequency range:	DC to 6 GHz	
VSWR:	≤1.20	
Insertion loss:	≤0.15dB	
Insulation resistance:	≥5000MΩ	
Test voltage:	1000 V rms	
Working voltage:	480 V rms	
Contact resistance:		
1). Centre contact:	1.00 mΩ N side	3.0 mΩ SMA side
2). Outer conductor:	0.25 mΩ N side	2.0 mΩ SMA side
Power handling (at 20 °C, sea level, VSWR 1.0)	≤ 200 W @ 2 GHz	

Environmental data:

Temperature rating:	-55 °C to 155 °C
2002/95/EC (RoHS):	Compliant

Mechanical data:

	N side	SMA side
Mating cycles:	≥500	≥500
Center contact captivation:	≥450N	N/A
Coupling nut retention:	≥27 N(axial)	≥27 N(axial)
Recommended torque:	0.7 Nm to 1.1 Nm	0.49 Nm to 0.6 Nm

Suitable cables:

N/A