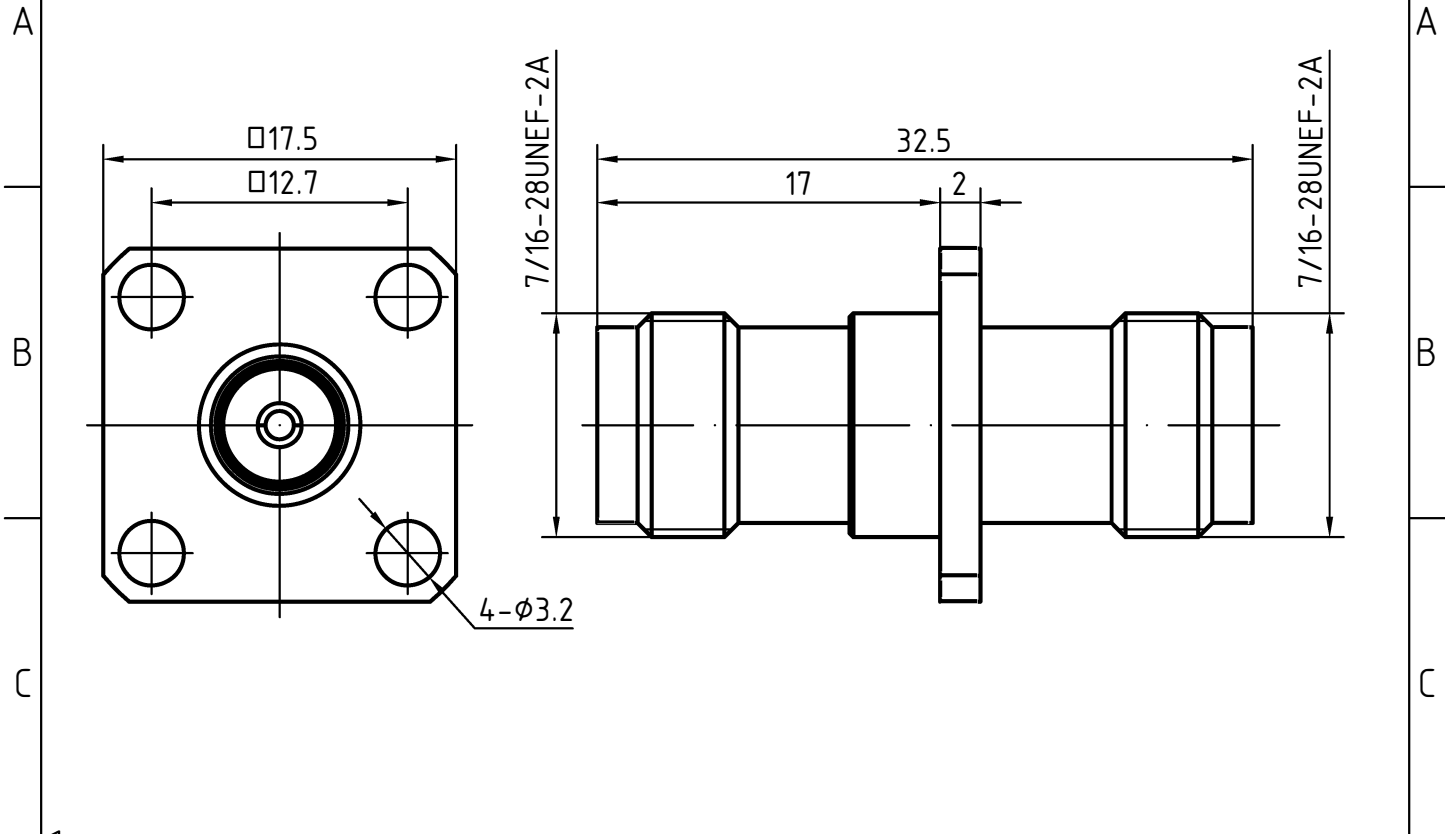
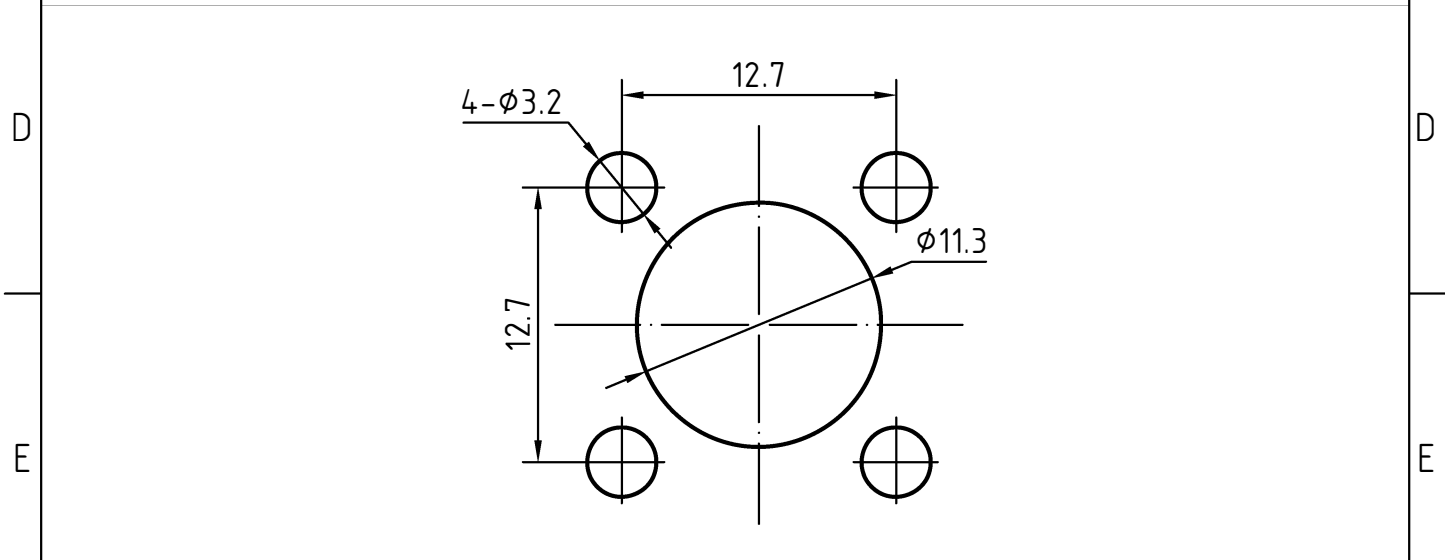


DRAWING




MOUNTING HOLE



3	1	Body	Brass/Nickel plated	Nickel 5um over Copper 2um
2	1	Insulator	PTFE	
1	1	Centor contactor	Phosphor bronze/Gold plated	Gold 0.2um over Nickel 2um
Itemref	Quantity	Title/Name, designation, material, dimension etc		Article No./Reference

Designed by Xio Xang	Checked by Jing Lo	Approved by Jing Chan	File name TNC_TNC-2214	Date 12.10.30	Scale 3 : 1
-------------------------	-----------------------	--------------------------	---------------------------	------------------	----------------

	TNC_TNC-2214	
	Edition 1.0	Sheet 1/1

# CHARACTERISTICS

DESCRIPTION:

ADAPTOR TNC JACK TO JACK FL

## Electrical data:

<i>Impedance:</i>	50 ohm
<i>Frequency range:</i>	DC to 10 GHz
<i>Return loss:</i>	≥30dB, DC-2.5GHz ≥20dB, 2.5-6GHz
<i>Insertion loss:</i>	≤0.25dB, DC-6GHz
<i>Insulation resistance:</i>	≥5000MΩ
<i>Test voltage:</i>	1500 V rms
<i>Working voltage:</i>	500 V rms
<i>Contact resistance:</i>	
1). Centre contact:	1.5 mΩ
2). Outer conductor:	1.0 mΩ
<i>Power handling (at 20 ° C, sea level, VSWR 1.0):</i>	≤ 80 W @ 2 GHz

## Environmental data:

<i>Temperature rating:</i>	-65 ° C to +165 ° C
<i>2002/95/EC (RoHS):</i>	Compliant

## Mechanical data:

<i>Mating cycles:</i>	≥500
<i>Center contact captivation:</i>	≥ 15 N(axial)
<i>Coupling test torque:</i>	≤1.7 Nm
<i>Recommended torque:</i>	0.8 Nm to 1.1 Nm

## Suitable cables:

N/A