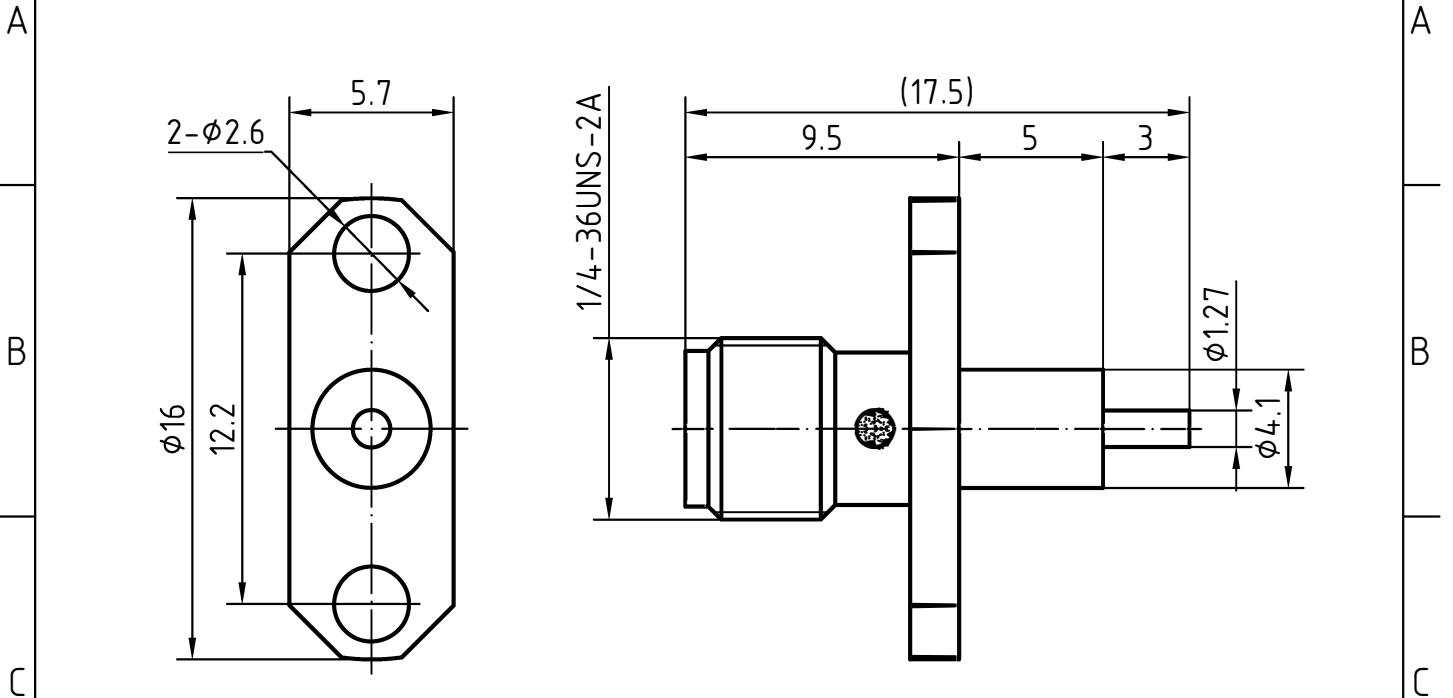
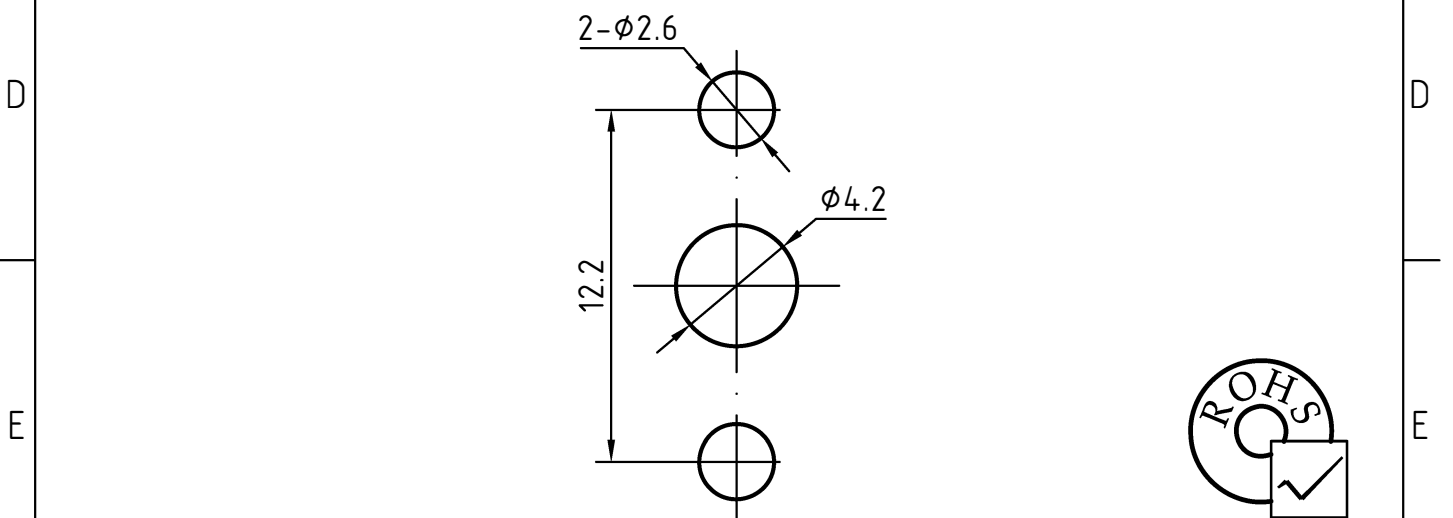


DRAWING



▷ MOUNTING HOLE



3	1	Body	Brass/Gold plated	
2	1	Insulator	PTFE	
1	1	Center contact	Beryllium copper/Gold plated	
Itemref	Quantity	Title/Name, designation, material, dimension etc		Article No./Reference

Designed by Xio Xang	Checked by Jing Lo	Approved by - date Jing Chan	File name SMA-232122	Date 08.03.20	Scale 4:1
-------------------------	-----------------------	---------------------------------	-------------------------	------------------	--------------

	SMA-232122	
	Edition 1.0	Sheet 1/1

CHARACTERISTICS

DESCRIPTION: SMA Type female FL connector

Electrical data:

<i>Impedance:</i>	50 ohm
<i>Frequency range:</i>	DC to 18.0 GHz
<i>VSWR:</i>	$\leq 1.04 + 0.02 \times f \text{ [GHz]}$
<i>Insertion loss:</i>	$\leq 0.08 \times \sqrt{f \text{ [GHz]}} \text{ dB}$
<i>Insulation resistance:</i>	$\geq 5000\text{M}\Omega$
<i>Test voltage:</i>	$\geq 1000 \text{ V rms}$
<i>Working voltage:</i>	$\leq 480 \text{ V rms}$
<i>Contact resistance:</i>	
1). Centre contact:	$\leq 3.0 \text{ m}\Omega$
2). Outer conductor:	$\leq 2.0 \text{ m}\Omega$
<i>RF leakage:</i>	$\leq -(60 - F(\text{GHz})) \text{ dB}$

Environmental data:

<i>Temperature rating:</i>	-65 ° C to +165 ° C
<i>2002/95/EC (RoHS):</i>	Compliant

Mechanical data:

<i>Mating cycles:</i>	≥ 500
<i>Center contact captivation:</i>	$\geq 27 \text{ N(axial)}$
<i>Coupling test torque:</i>	$\leq 1.7 \text{ Nm}$
<i>Recommended torque:</i>	0.46 Nm to 0.69 Nm

Suitable cables:

N/A