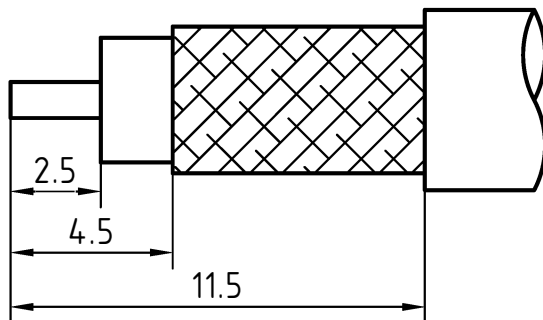


CABLE(RG142B/U, RG223/U, RG400/U)



6	1	Crimp ferrule	Coper alloy/Nickel	
5	1	O ring	Silicon ruber	
4	1	Coulping nut	Brass/Gold plated	Gold 0.2um over Nickel 2.0um
3	1	Body	Brass/Gold plated	Gold 0.2um over Nickel 2.0um
2	1	Insulator	PFTE	
1	1	Center contact	Beryllium copper/Gold plated	Gold 0.5um over Nickel 2.0um
Itemref	Quantity	Title/Name, designation, material, dimension etc		Article No./Reference

Designed by
xio xang

Checked by
jing lo

Approved by - date
jing chan 08.01.24

File name
SMA-111100B

Date
08.01.24

Scale
5:1

RF CONNEC

SMA-111100B

Edition
1.0

Sheet
1/1

CHARACTERISTICS

DESCRIPTION:

SMA Type male connector

Electrical data:

<i>Impedance:</i>	<i>50 ohm</i>
<i>Frequency range:</i>	<i>DC to 6.0 GHz</i>
<i>VSWR:</i>	$\leq 1.15 + 0.03 \times f \text{ [GHz]}$
<i>Insertion loss:</i>	$\leq 0.20 \times \sqrt{f \text{ [GHz]}} \text{ dB}$
<i>Insulation resistance:</i>	$\geq 5000 \text{ M}\Omega$
<i>Test voltage:</i>	<i>1000 V rms</i>
<i>Working voltage:</i>	<i>500 V rms</i>
<i>Contact resistance:</i>	

1). *Centre contact:* *3.0 m Ω*

2). *Outer conductor:* *2.0 m Ω*

Power handling (at 20 °C, sea level, VSWR 1.0) $\leq 200 \text{ W @ 2 GHz};$

RF-leakage $\geq 100 \text{ dB up to 1 GHz}$

- *Limitations are possible due to the used cable type* -

Environmental data:

Temperature rating: *-65 ° C to +165 ° C*

2002/95/EC (RoHS): *Compliant*

Mechanical data:

<i>Mating cycles:</i>	≥ 500
<i>Coupling nut retention</i>	$\geq 270 \text{ N}$
<i>Coupling test torque:</i>	$\leq 1.7 \text{ Nm}$
<i>Recommended torque:</i>	<i>0.46 Nm to 0.69 Nm</i>

Suitable cables:

RG58C/U, RG142B/U, RG223/U, RG400/U