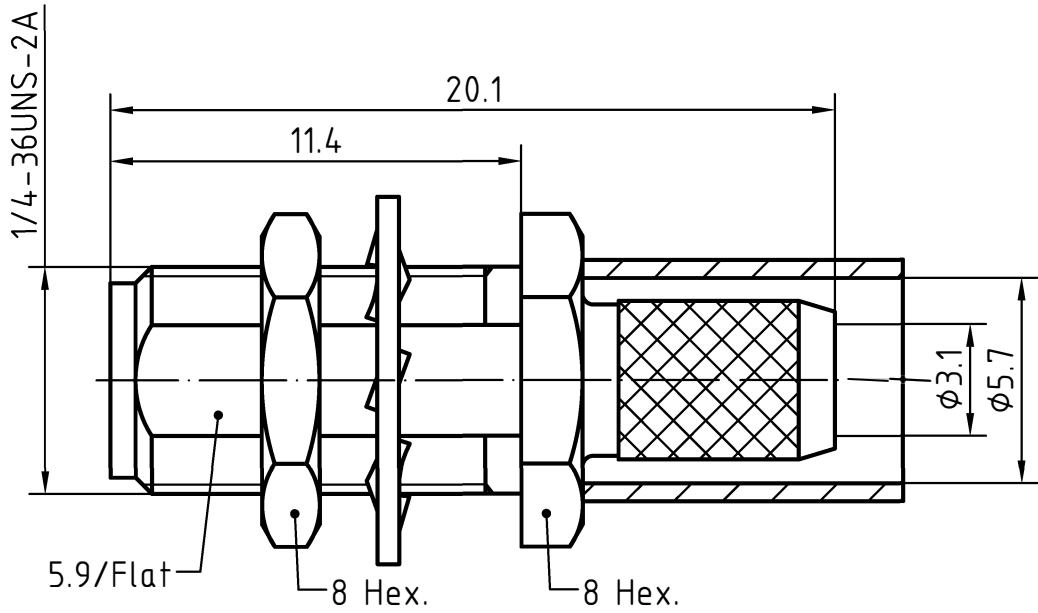
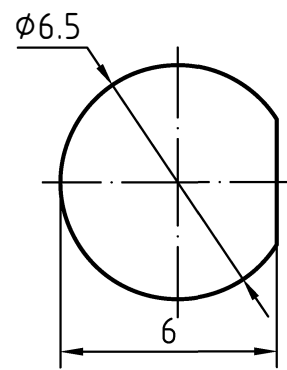
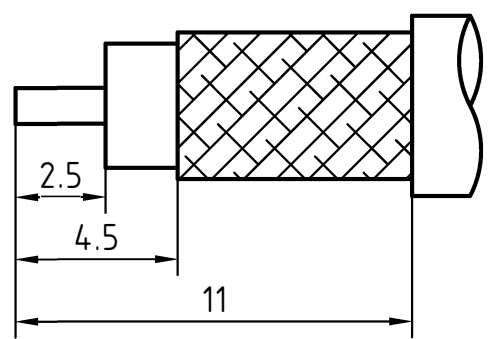


DRAWING



CABLE(RG142B/U, RG223/U, RG400/U)

MOUNTING HOLE



5	1	Nut	Brass/Gold plated	
4	1	Washer	Beryllium copper/Gold plated	
3	1	Body	Brass/Gold plated	
2	1	Insulator	PTFE	
1	1	Center contact	Beryllium copper/Gold plated	
Itemref	Quantity	Title/Name, designation, material, dimension etc		Article No./Reference

Designed by Xio Xang	Checked by Jing Lo	Approved by Jing Chan	File name SMA-112100B	Date 09.04.12	Scale 5:1
-------------------------	-----------------------	--------------------------	--------------------------	------------------	--------------

SMA-112100B

Edition 1.0	Sheet 1/1
----------------	--------------

CHARACTERISTICS

DESCRIPTION:

SMA Type female BH connector

Electrical data:

<i>Impedance:</i>	<i>50 ohm</i>
<i>Frequency range:</i>	<i>DC to 12.4 GHz</i>
<i>VSWR:</i>	$\leq 1.10 + 0.04 \times f \text{ [GHz]}$
<i>Insertion loss:</i>	$\leq 0.15 \times \sqrt{f \text{ [GHz]}} \text{ dB}$
<i>Insulation resistance:</i>	$\geq 5000 \text{ M}\Omega$
<i>Test voltage:</i>	<i>1000 V rms</i>
<i>Working voltage:</i>	<i>500 V rms</i>
<i>Contact resistance:</i>	
1). <i>Centre contact:</i>	<i>3.0 mΩ</i>
2). <i>Outer conductor:</i>	<i>2.0 mΩ</i>
<i>Power handling</i> (at 20 °C, sea level, VSWR 1.0)	$\leq 200 \text{ W @ 2 GHz};$
<i>RF-leakage</i>	$\geq 100 \text{ dB up to 1 GHz}$
<i>- Limitations are possible due to the used cable type -</i>	

Environmental data:

<i>Temperature rating:</i>	<i>-65 ° C to +165 ° C</i>
<i>2002/95/EC (RoHS):</i>	<i>Compliant</i>

Mechanical data:

<i>Mating cycles:</i>	≥ 500
<i>Coupling nut retention</i>	$\geq 270 \text{ N}$
<i>Coupling test torque:</i>	$\leq 1.1 \text{ Nm}$
<i>Recommended torque:</i>	<i>0.46 Nm to 0.69 Nm</i>

Suitable cables:

RG142B/U, RG223/U, RG400/U