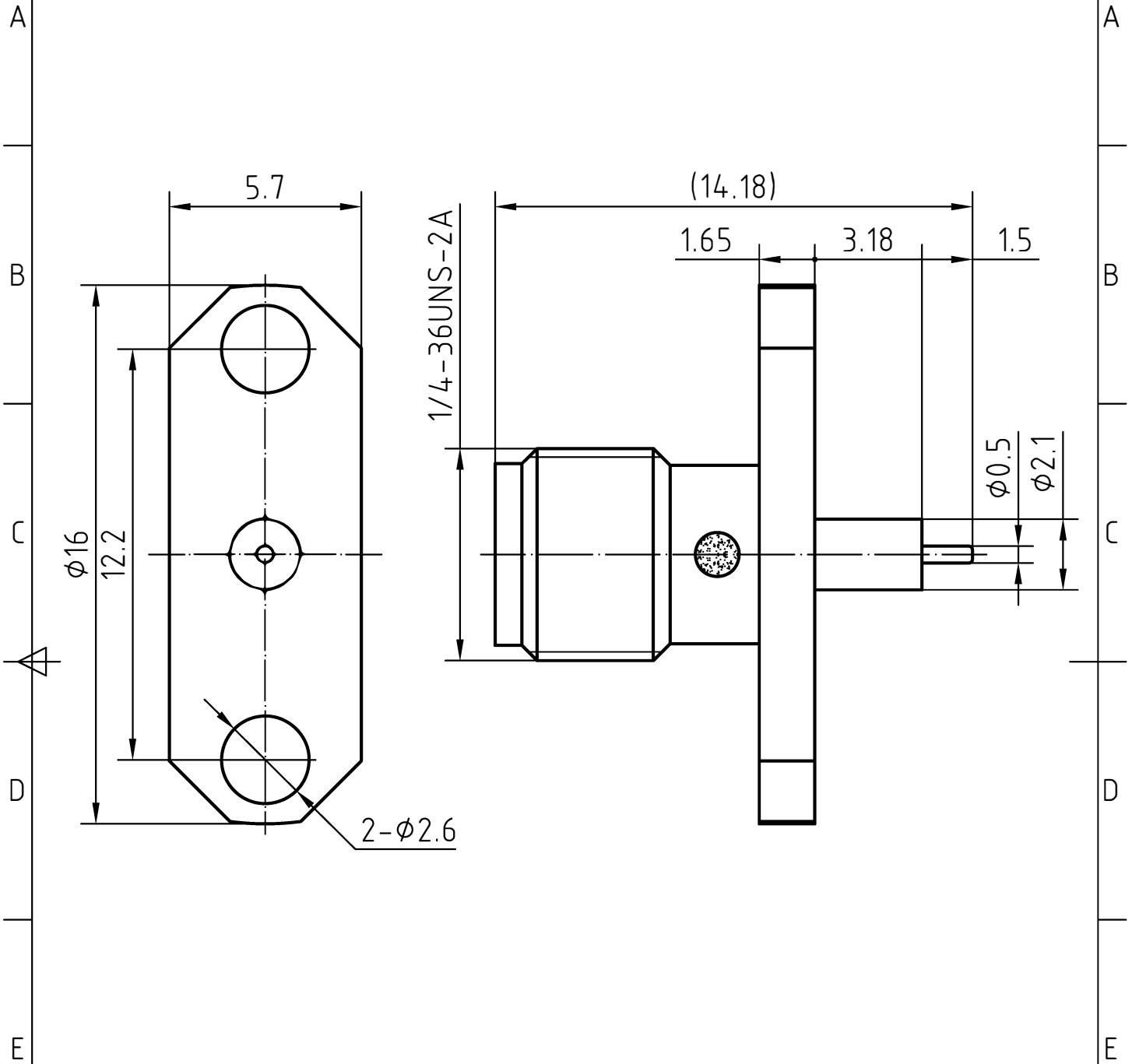


DRAWING



3	1	Body	Brass/Gold plated
2	1	Insulator	PTFE
1	1	Center contact	Beryllium copper/Gold plated

Designed by Xio Xang	Checked by Jing Lo	Approved by - date Jing Chan	File name SMA-232122(2S)	Date 08.02.22	Scale 6 : 1
-------------------------	-----------------------	---------------------------------	-----------------------------	------------------	----------------

	SMA-232122(2S)	
	Edition 1.0	Sheet 1/1

CHARACTERISTICS

DESCRIPTION: SMA Type female FL connector

Electrical data:

<i>Impedance:</i>	50 ohm
<i>Frequency range:</i>	DC to 18.0 GHz
<i>VSWR:</i>	$\leq 1.05 + 0.02 \times f[\text{GHz}]$
<i>Insertion loss:</i>	$\leq 0.15 \times \sqrt{f[\text{GHz}]} \text{ dB}$
<i>Insulation resistance:</i>	$\geq 5000\text{M}\Omega$
<i>Test voltage:</i>	1500 V rms
<i>Working voltage:</i>	480 V rms
<i>Contact resistance:</i>	
1). Centre contact:	3.0 m Ω
2). Outer conductor:	2.5 m Ω
<i>Power handling (at 20 ° C, sea level, VSWR 1.0):</i>	$\leq 200 \text{ W @ } 2 \text{ GHz}$
<i>RF-leakage:</i>	$\geq 100 \text{ dB up to } 1 \text{ GHz}$

Environmental data:

<i>Temperature rating:</i>	-65 ° C to +165 ° C
<i>2002/95/EC (RoHS):</i>	Compliant

Mechanical data:

<i>Mating cycles:</i>	≥ 500
<i>Center contact captivation:</i>	$\geq 15 \text{ N(axial)}$
<i>Coupling test torque:</i>	$\leq 1.7 \text{ Nm}$
<i>Recommended torque:</i>	0.46 Nm to 0.69 Nm

Suitable cables:

N/A