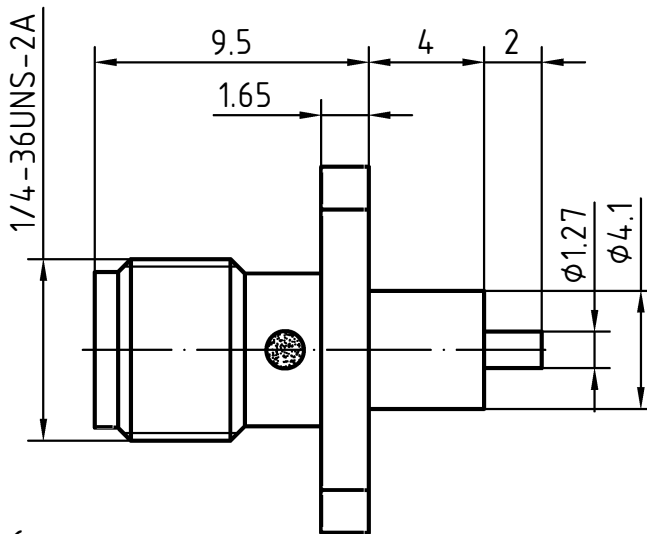
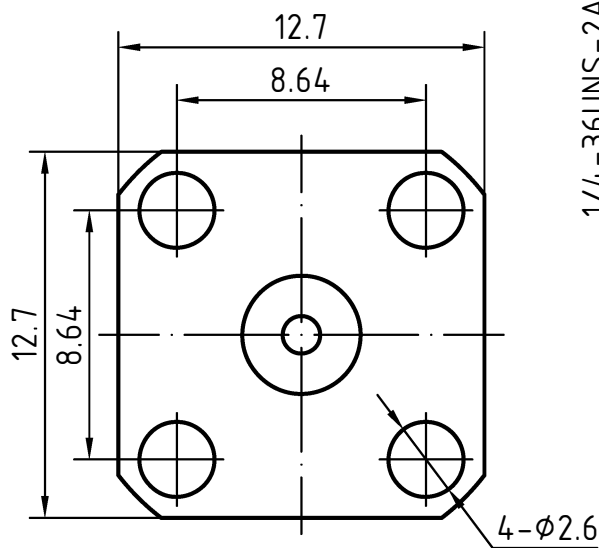
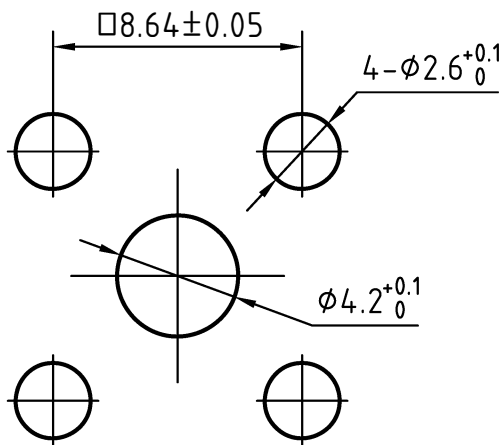


DRAWING



MOUNTING HOLE



| | | | | |
|---|---|----------------|------------------------------|------------------------------|
| 3 | 1 | Body | Brass/Gold plated | Gold 0.2um over Nickel 2.0um |
| 2 | 1 | Insulator | PTFE | |
| 1 | 1 | Center contact | Beryllium copper/Gold plated | Gold 0.5um over Nickel 2.0um |

| | | | | | |
|-------------------------|-----------------------|---------------------------------|----------------------------|------------------|--------------|
| Designed by xio xang | Checked by jing lo | Approved by - date jing chan | File name SMA-232142(4) | Date 11.04.14 | Scale 5:1 |
|-------------------------|-----------------------|---------------------------------|----------------------------|------------------|--------------|

RF CONNEC

SMA-232142(4)

Edition
1.0
Sheet
1/1

CHARACTERISTICS

DESCRIPTION:

SMA Type female FL connector

Electrical data:

| | |
|---|--|
| <i>Impedance:</i> | 50 ohm |
| <i>Frequency range:</i> | DC to 18.0 GHz |
| <i>VAWR:</i> | $\leq 1.04 + 0.02 \times f \text{ [GHz]}$ |
| <i>Insertion loss:</i> | $\leq 0.08 \times \sqrt{f \text{ [GHz]}} \text{ dB}$ |
| <i>Insulation resistance:</i> | $\geq 5000 \text{ M}\Omega$ |
| <i>Test voltage:</i> | 1000 V rms |
| <i>Working voltage:</i> | 480 V rms |
| <i>Contact resistance:</i> | |
| 1). Centre contact: | 3 m Ω |
| 2). Outer conductor: | 2 m Ω |
| <i>Power handling (at 20 ° C, sea level, VSWR 1.0):</i> | $\leq 200 \text{ W @ 2 GHz}$ |
| <i>RF-leakage:</i> | $\geq 100 \text{ dB up to 1 GHz}$ |

Environmental data:

| | |
|----------------------------|---------------------|
| <i>Temperature rating:</i> | -65 ° C to +165 ° C |
| <i>2002/95/EC (RoHS):</i> | Compliant |

Mechanical data:

| | |
|---|-----------------------|
| <i>Mating cycles:</i> | ≥ 100 |
| <i>Center contact captivation(axial):</i> | $\geq 20 \text{ N}$ |
| <i>(radial):</i> | $\geq 1 \text{ Ncm}$ |
| <i>Coupling test torque:</i> | $\leq 1.1 \text{ Nm}$ |
| <i>Recommended torque:</i> | 0.46~0.69 Nm |

Suitable cables:

N/A