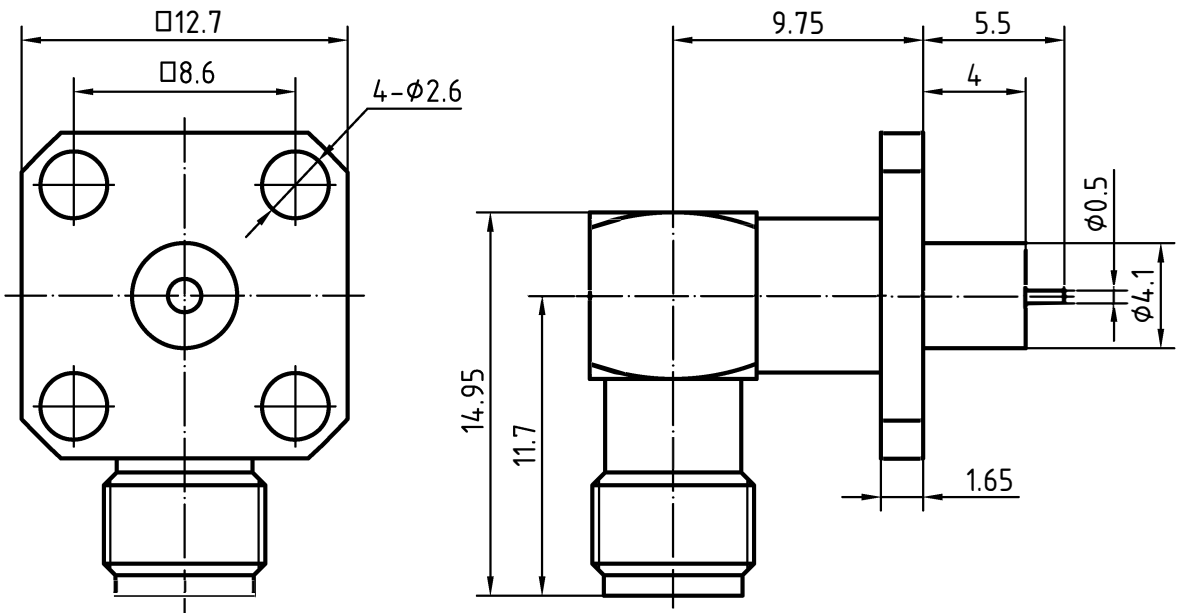


A

A



B

B

C

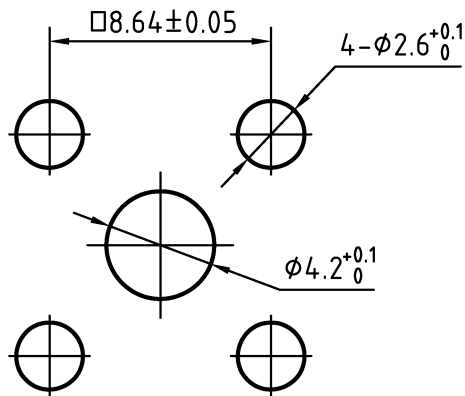
C



MOUNTING HOLE

D

D



E

E



3	1	Body	Brass/Gold plated	
2	1	Insulator	PTFE	
1	1	Center contact	Beryllium copper/Gold plated	
Itemref	Quantity	Title/Name, designation, material, dimension etc		Article No./Reference

F

F

Designed by Xio Xang	Checked by Jing Lo	Approved by - date Jing Chan	File name SMA-232242(4)	Date 16.01.07	Scale 4 : 1
			SMA-232242(4)		

# CHARACTERISTICS

DESCRIPTION: SMA Type female R/A+FL connector

## Electrical data:

<i>Impedance:</i>	50 ohm DC
<i>Frequency range:</i>	to 18 GHz
<i>VSWR:</i>	$\leq 1.25:1$
<i>Insertion loss:</i>	$\leq 0.25 \text{ dB}$
<i>Insulation resistance:</i>	$\geq 5000 \text{ M}\Omega$
<i>Test voltage:</i>	$\geq 1000 \text{ V rms}$
<i>Working voltage:</i>	$\leq 480 \text{ V rms}$
<i>Contact resistance:</i>	
1). Centre contact:	$\leq 3.0 \text{ m}\Omega$
2). Outer conductor:	$\leq 2.0 \text{ m}\Omega$
<i>RF leakage:</i>	$\leq -(100 - F(\text{GHz})) \text{ dB}$

## Environmental data:

<i>Temperature rating:</i>	-65 ° C to +165 ° C
<i>2002/95/EC (RoHS):</i>	Compliant

## Mechanical data:

<i>Mating cycles:</i>	$\geq 100$
<i>Center contact captivation:</i>	$\geq 20 \text{ N(axial)}$
<i>Coupling test torque:</i>	$\leq 1.1 \text{ Nm}$
<i>Recommended torque:</i>	0.46Nm to 0.69 Nm

## Suitable cables:

N/A