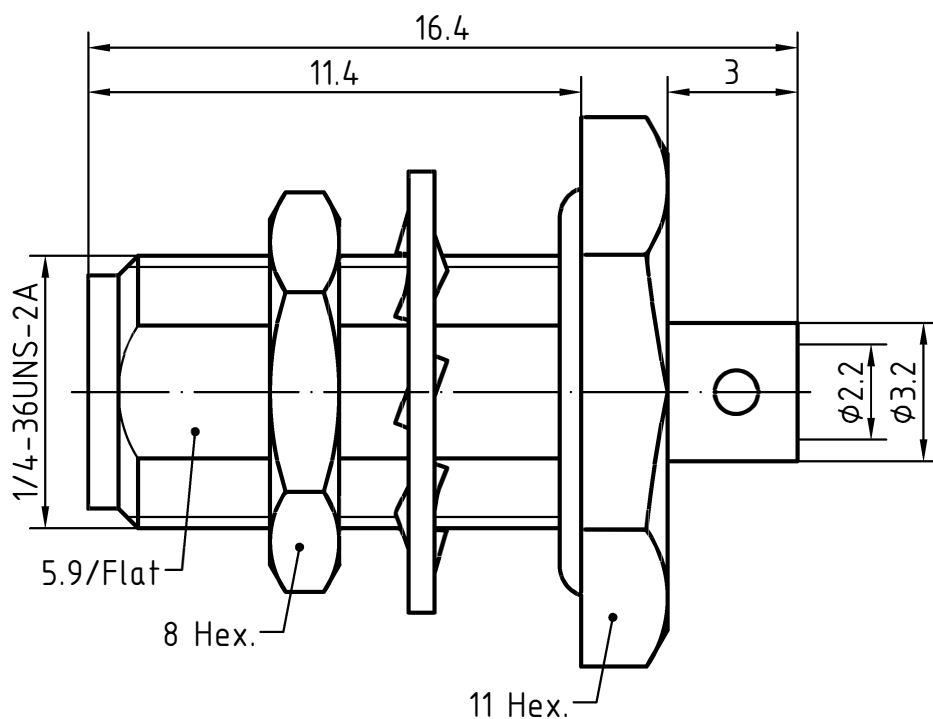
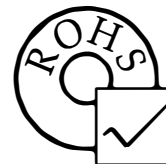
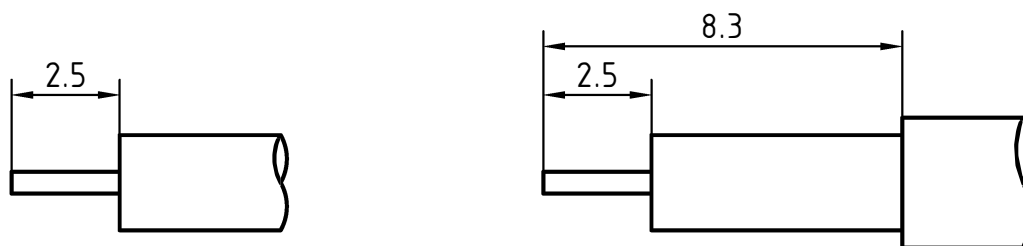


DRAWING



CABLE(UT086,RG405,670-086)



6	1	O-ring	Silicone rubber	
5	1	Nut	Brass/Gold plated	
4	1	Washer	Beryllium copper/Gold plated	
3	1	Body	Brass/Gold plated	
2	1	Insulator	PTFE	
1	1	Center contact	Beryllium copper/Gold plated	
Itemref	Quantity	Title/Name, designation, material, dimension etc		Article No./Reference

Designed by Xio Xang	Checked by Jing Lo	Approved Jing Chan	File name SMA_112110F	Date 06.08.30	Scale 1:1
-------------------------	-----------------------	-----------------------	--------------------------	------------------	--------------

	SMA_112110F	
	Edition 10	Sheet 1/1

CHARACTERISTICS

DESCRIPTION: SMA Type female BH connector with O-ring

Electrical data:

<i>Impedance:</i>	50 ohm
<i>Frequency range:</i>	DC to 18.0 GHz
<i>VSWR:</i>	$\leq 1.05 + 0.03 \times f \text{ [GHz]}$
<i>Insertion loss:</i>	$\leq 0.15 \times \sqrt{f \text{ [GHz]}} \text{ dB}$
<i>Insulation resistance:</i>	$\geq 5000 M\Omega$
<i>Test voltage:</i>	1000 V rms
<i>Working voltage:</i>	480 V rms
<i>Contact resistance:</i>	
1). Centre contact:	3.0 m Ω
2). Outer conductor:	2.0 m Ω
<i>Power handling (at 20 ° C, sea level, VSWR 1.0):</i>	$\leq 200 \text{ W @ 2 GHz;}$
<i>RF-leakage</i>	$\geq 100 \text{ dB up to 1 GHz}$

- Limitations are possible due to the used cable type -

Environmental data:

<i>Temperature rating:</i>	-65 ° C to +165 ° C
<i>2002/95/EC (RoHS):</i>	Compliant

Mechanical data:

<i>Mating cycles:</i>	≥ 500
<i>Coupling nut retention</i>	$\geq 270 \text{ N}$
<i>Coupling test torque:</i>	$\leq 1.1 \text{ Nm}$
<i>Recommended torque:</i>	0.46 Nm to 0.69 Nm

Suitable cables:

UT086, RG405, 670-086