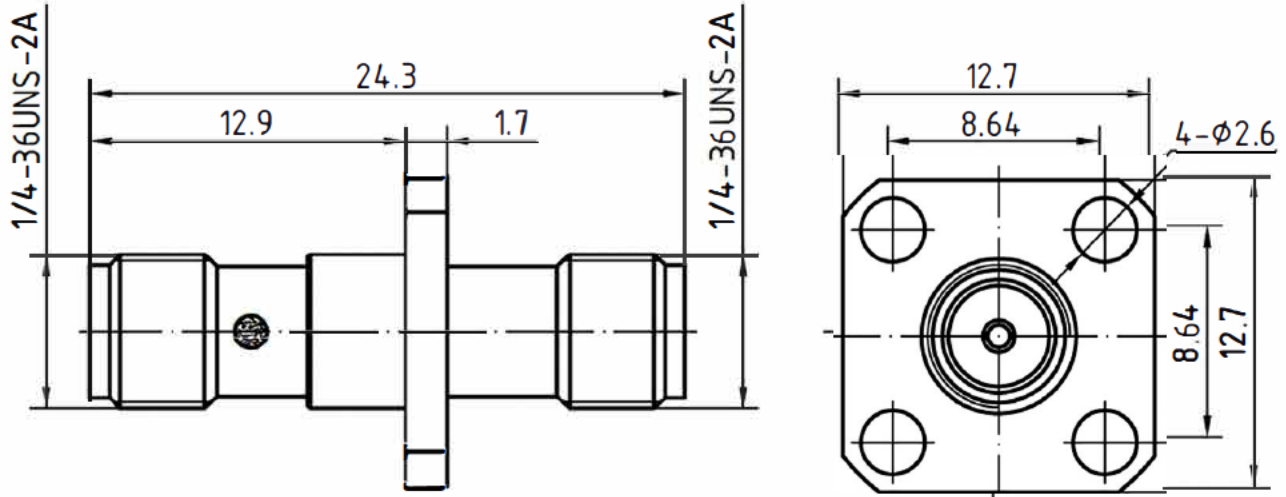
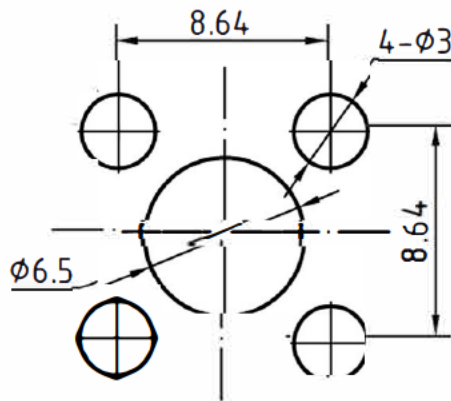


DRAWING



MOUNTING HOLE



3	1	Body	Brass/Gold plated
2	1	Insulator	PTFE
1	1	Center contact	Beryllium copper /Gold plated

Designed by Xio Xang	Checked by Jing Lo	Approved by Jing Chan	Date 26.02.09	File name SMA_SMA-2214(24.3)	Scale 1 : 1
-------------------------	-----------------------	--------------------------	------------------	---------------------------------	----------------

		SMA_SMA-2214(24.3)	
		Edition 10	Sheet 1/1

# CHARACTERISTICS

DESCRIPTION:

ADAPTOR SMA JACK TO SMA JACK FL

## Electrical data:

<i>Impedance:</i>	50 ohm
<i>Frequency range:</i>	DC to 18.0 GHz
<i>VSWR:</i>	$\leq 1.03 + 0.02 \times f \text{ [GHz]}$
<i>Insertion loss:</i>	$\leq 0.10 \times \sqrt{f \text{ [GHz]}} \text{ dB}$
<i>Insulation resistance:</i>	$\geq 5000 \text{ M}\Omega$
<i>Test voltage:</i>	1000 V rms
<i>Working voltage:</i>	480 V rms
<i>Contact resistance:</i>	
1). Centre contact:	3.0 m $\Omega$
2). Outer conductor:	2.0 m $\Omega$

## Environmental data:

<i>Temperature rating:</i>	-65 ° C to +165 ° C
<i>2002/95/EC (RoHS):</i>	Compliant

## Mechanical data:

<i>Mating cycles:</i>	$\geq 500$
<i>Center contact captivation:</i>	$\geq 15 \text{ N(axial)}$
<i>Recommended torque:</i>	0.46Nm to 0.69Nm

## Suitable cables:

N/A